

MultiCyclone 12 Filter

Centrifugal Pre-Filtration

RK2 System presents the award winning MultiCyclone 12 filter. The MultiCyclone 12 is a brilliant pre-filtration device that works on the basis of centrifugal water filtration and is designed with no moving parts and no filter media to clean or replace.



- Minimizes filter maintenance and saves water
- No filter media to clean or replace
- Suitable for new and existing installations
- 2 year warranty



Quality Water

Ease Filter Workload

MultiCyclone 12 pre-filters up to 80% of the filter's incoming dirt load easing the workload of the pond filter. As the MultiCyclone 12 intercepts more and more dirt, the flow rate remains unchanged.

- Improving pond water circulation
- Enhancing the performance of the entire pond filtration system
- Minimizing filter maintenance and saving water



Minimize Backwash Frequency

The installation of a MultiCyclone 12 as a pre-filter to a sand filter can reduce its backwash frequency, resulting in a saving of up to 1850 gallons of water per year for an average pond or water feature.

Minimize Cartridge Cleaning and Replacement

The installation of a MultiCyclone 12 as a pre-filter to a cartridge filter can reduce filter cartridge cleaning and replacement.

Model	Connection Ports	Minimum Flow	Maximum Flow	Maximum Pressure
RK-MC-12	1½" / 40 mm	10gpm / 40 lpm	79gpm / 300 lpm	50psi / 350 kPa



Centrifugal Water Filtration

The MultiCyclone 12 works on the basis of centrifugal water filtration. There are no moving parts to wear and tear, and no filter media to clean or replace.

1. Incoming water enters 12 hydro cyclones tangentially, generating a strong centrifugal effect.
2. The sediment is spun out to the hydro cyclone's wall, and then spirals down to the sediment chamber*.
3. The filtered water migrates towards the centre of the hydro cyclone where the flow reverses and spirals upwards through the outlet.
4. Accumulation of sediment can be visibly monitored through the MultiCyclone 12's clear sediment chamber.

**Note: The MultiCyclone 12 is designed to filter sediment that is heavier than water, floating debris cannot be filtered out by centrifugal filtration.*

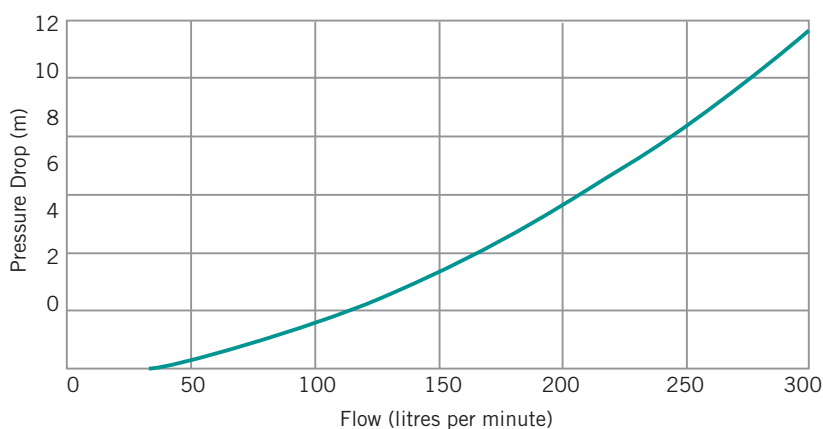
Simple Maintenance

The MultiCyclone 12 is easily cleaned by opening its purge valve. Only 4 gallons of water is discharged to cleanse the MultiCyclone 12.

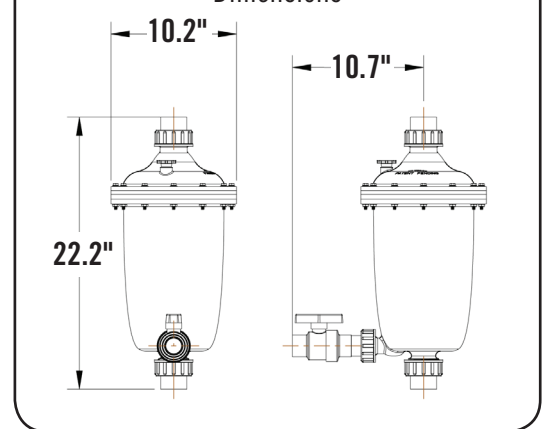
Warranty

MultiCyclone 12 is covered by a 2 year warranty and 1 year warranty on labor. Commercial installations are covered by a 1 year warranty. The RK2 System MultiCyclone 12 is designed to work effectively with RK2 System's extensive range of pumps and filters.

Head Loss



Dimensions



Note: When a RK2 System MultiCyclone 12 Centrifugal Water Filter is installed within a pond filtration system it is strongly recommended that no granular pond chemicals are added to the pond water through the pond skimmer box, unless there is the option to bypass the MultiCyclone 12.

Note: All pond chemical or additives are to be added to the pond water as instructed by the manufacturer's procedures, only.

RK2 Systems Product List



Protein Fractionators



Pumps



Fluidized Sand Filters



Chillers



Filtration Systems



Heaters



Ozone Systems



Parts & Fittings



Controllers/Monitoring Equipment



UV Sterilizers



Contact your local distributor.

Quality Water